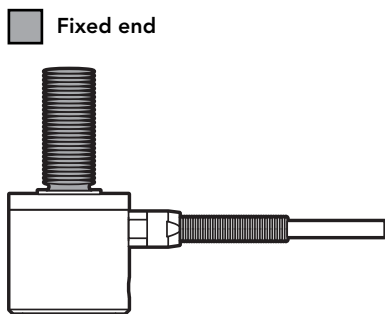
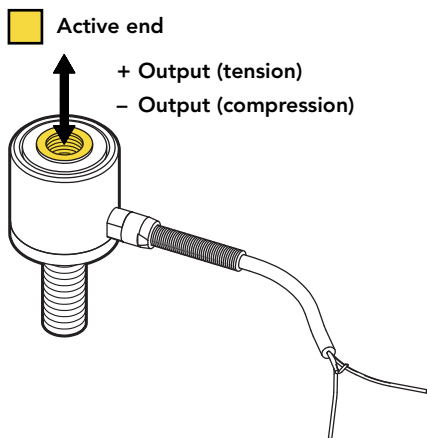




FEATURES

- Incredibly fast
- Light weight
- Low deflection, light weight
- For use in both tension and compression
- Can easily thread in line into a threaded rod or actuator



SPECIFICATIONS

PERFORMANCE

| | |
|------------------|-------------|
| Nonlinearity | ±0.5% of RO |
| Hysteresis | ±0.5% of RO |
| Nonrepeatability | ±0.1% of RO |

ELECTRICAL

| | |
|-------------------------|--|
| Rated Output (RO) | 1 mV/V (1000 lb) 2 mV/V (2000 lb) 3 mV/V (3000 lb) |
| Excitation (VDC or VAC) | 18 max |
| Bridge Resistance | 1000 Ohm nom |
| Insulation Resistance | ≥500 MOhm @ 50 VDC |
| Connection | #28 AWG, 4 conductor, shielded PVC cable 10 ft [3 m] long |
| Wiring Code | WC1 |

MECHANICAL

| | |
|---------------|-------------------------|
| Weight | 3.5 oz [99 g] |
| Safe Overload | 150% of RO |
| Material | 17-4 PH stainless-steel |
| IP Rating | IP64 |

TEMPERATURE

| | |
|-------------------------|---------------------------------------|
| Operating Temperature | -45 to 200°F [-42 to 93°C] |
| Compensated Temperature | 60 to 160°F [15 to 72°C] |
| Temperature Shift Zero | ±0.005% of RO/°F [0.01% of RO/°C] |
| Temperature Shift Span | ±0.01% of Load/°F [0.018% of Load/°C] |

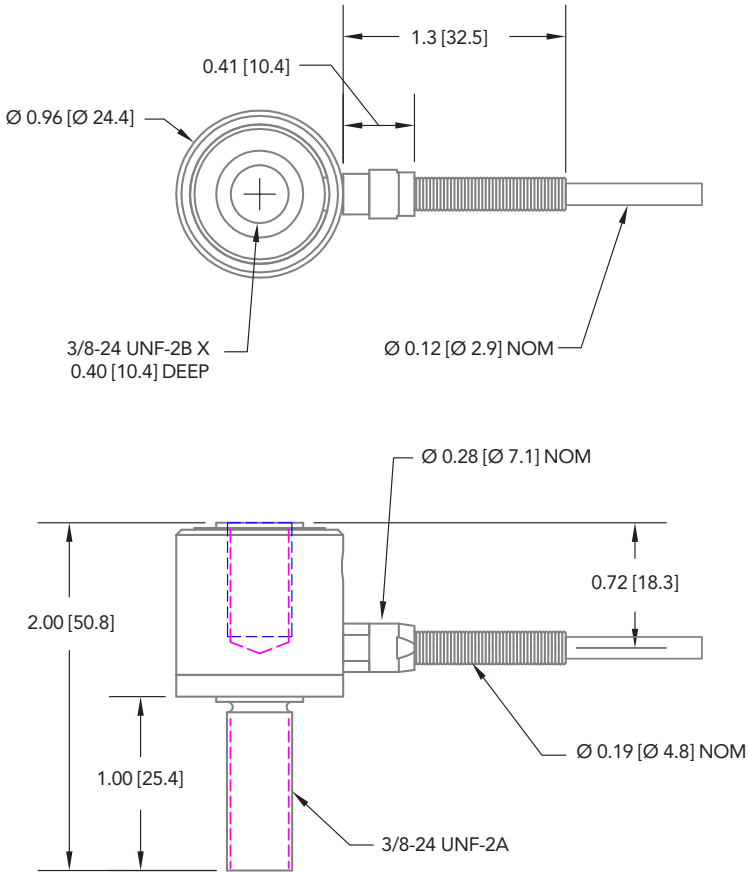
CALIBRATION

| | |
|-----------------------------|--|
| Calibration Test Excitation | 10 VDC |
| Calibration (standard) | 5-pt tension |
| Calibration (available) | Compression |
| Shunt Calibration Value | 301 kOhm (1000 lb) 150 kOhm (2000 lb) 100 kOhm (3000 lb) |

CONFORMITY

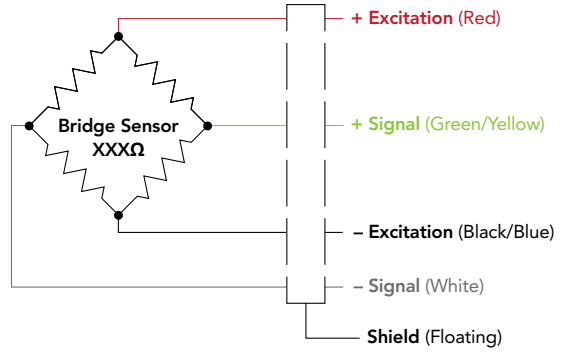
| | |
|------|----------------|
| RoHS | 2004/108/EC |
| CE | EN61326-1:2006 |

DIMENSIONS inches [mm]



WIRING CODE (WC1 WITH SHIELD)

| | |
|--------|--------------|
| RED | + EXCITATION |
| BLACK | - EXCITATION |
| GREEN | + SIGNAL |
| WHITE | - SIGNAL |
| SHIELD | FLOATING |



CAPACITIES

| ITEM # | lb | N | Deflection (in) | Natural Frequency (Hz) |
|----------|------|-------|-----------------|------------------------|
| FSH04011 | 1000 | 4448 | 0.0005 | 21100 |
| FSH04013 | 2000 | 8896 | 0.0010 | 21100 |
| FSH04014 | 3000 | 13344 | 0.0015 | 21100 |

Drawing Number: FI1407-A

FUTEK reserves the right to modify its design and specifications without notice. Please visit www.futek.com/salesterms for complete terms and conditions.

10 Thomas, Irvine, CA 92618 USA

Tel: (949) 465-0900

Fax: (949) 465-0905

www.futek.com



R0HS



U.S. Manufacturer